

Save 50% on window fitting.

60% less damage to glass and window sections
when fitting with the GlasLift® 250 E



GlasLift® 250 E features an intelligent transport mechanism and the well-known two-circuit vacuum suction as standard equipment.

The transport mechanism is exceptionally strong and fitted with a differential gear which enables the **GlasLift® 250 E**

to handle challenging manoeuvring on building sites etc., while still allowing you make very fine adjustments without the machine starting with a jump.

The capacity of the battery has been increased by 20% to supply this added functionality.

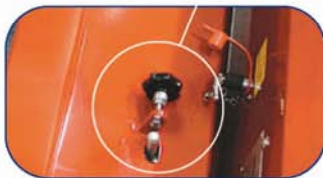
GLASLIFT® 250 E

Intelligent steering



Sharp turns are easily made as the differential gear is controlling the rotations of the two front wheels.

When making sharp turns, you will see one wheel driving forwards while the other one is driving backwards.



For safety reasons, the transport mechanism must be disconnectable so that machine can be pushed manually.

This requirement is also fulfilled by the **GlasLift® 250 E**.

Precise control



The sensitive control device ensures that the machine starts gently and allows accurate adjustment of the machine's position to the millimetre.

In this way, you avoid inconvenient jerks when the machine starts moving.



The control switch allows you to switch quickly and efficiently between driving forward and in reverse.

Spring-loaded operator's platform

To provide extra comfort and security, a spring-loaded operator's platform has been mounted at the back of the machine. The electrical drive of the GlasLift® is activated when the operator steps onto the platform.



Sales:

Glass Workx (WA) Pty Ltd
4 Powell Street
OSBORNE PARK WA 6017

Tel.: +61 8 9443-8311
Fax: +61 8 9444-9729
E-mail: enquiries@glassworkx.com.au



Glass Workx



Made in Denmark

Other practical functions



To provide power for this additional functionality, the GlasLift 250 E is fitted with an extra strong battery. An indicator shows the remaining battery capacity at all times.



Precise control unit with powerful hydraulic system.



Two extra hydraulic outlets for the front-mounted accessories.



The front system can be moved laterally 1.97" either way using the shifting arm.



The front system can be tilted forward and backward.

GlasLift® 250 E is easily adapted to lifting other materials.

A wide range of suction discs allows you to lift materials such as:



Granite



Wood



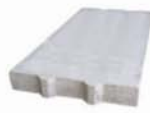
Plasterboards



Steel plates



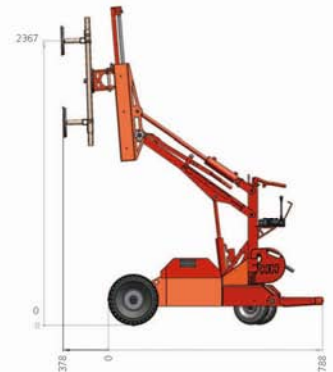
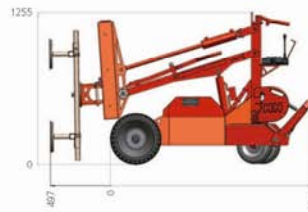
Fire doors



Concrete elements

Technical specifications

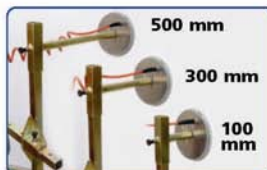
GlasLift® 250E complies with all the requirements of the Machinery Directive 98/37/EC, with the ergonomic aspects being given a high priority in its design.



Description	Value	Description	Value
Loading capacity	250 kg	Air press. wheels (front)	4,5 bar
Own weight	334 kg / 484 kg	Air press. wheels (back)	7,5 bar
Machine width	848 mm	Charging current	230/110 V
Machine length	2170 / 2600 mm	Battery	12 V
Max machine height	2720 mm	Charging time	Approx. 8 hours

Accessories

Extension arms for suction discs



Enables you to mount objects in different depths as required.

Universal extension bar for the front lifting system



Horizontal extension of main frame



Vertical extension of cross bar

The construction of the extension bar enables it to extend the horizontal main frame as well as the vertical cross bar on the standard machine.

Extra strong hoist chain



A light - yet extremely strong - hoist chain enables hoisting of the GlasLift between floors.



Puncture proof tyres

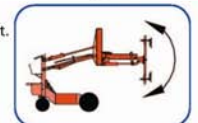
There is now a possibility to order foam filled tyres for the GlasLift.

Horizontal lifting arm



Picks up loads of up to 385 lbs from a horizontal position from ground level to app. 1800 mm. Mounts objects from ground level to 3000 mm. Comes with a weight extension kit.

An extra hydraulic control unit is standard on the GlasLift. The added right lever operates the tilting function of the horizontal lifting arm.



Production:

HH-Intellitech ApS

Nykoebing Landevej 21
4200 Slagelse
Denmark

Tlf. +45 58 26 70 17

E-mail: info@hh-intellitech.dk

www.hh-intellitech.dk